



EXPOSÉ PRE-OWNED VEHICLE
SLAG POT CARRIER
MAN-GHH ITS 50

EXPOSÉ PRE-OWNED VEHICLE SLAG POT CARRIER



Contact:

KIROW ARDELТ GmbH
Branch Ulm

Sales department

Phone: +49 731 94652 - 0
Fax: +49 731 94652 - 11
E-Mail: sales@kirow.de

Preference:
Pre-owned vehicle ITS 02

EXPOSÉ PRE-OWNED VEHICLE SLAG POT CARRIER



Manufacturer: MAN-GHH
Model: IST 50
Build year: 1988
Serial number: 919/084
Operating hours: 60.537 h (Updated: 04/18)
Location: Austria





TECHNICAL DATA (without warranty)

MAN-GHH ITS 50 (ITS 02)

PAYLOADS

▪ Payload max. (slag pot + content)	approx.	55.000 kg
▪ Dead weight of the vehicle	approx.	52.400 kg
▪ Gross weight	approx.	107.400 kg

DIMENSIONS

▪ Overall length	approx.	9.800 mm
▪ Overall width	approx.	4.800 mm
▪ Height	approx.	4.000 mm
▪ Turning radius	approx.	8.000 mm
▪ Dumping angle	approx.	170 °

DIESEL ENGINE

▪ Manufacturer/Model	Deutz F8L413F
▪ Performance	174 KW or 237 PS
▪ Displacement	12.800 ccm
▪ emission standards	Tier 1
▪ Cooling system	air-cooled

TIRES

▪ Tires tractor unit	2 x	18.00R25 EM
▪ Tires trailing unit	2 x	24.00R35 EM

TECHNICAL EQUIPMENT / SCOPE OF SUPPLY (without warranty)



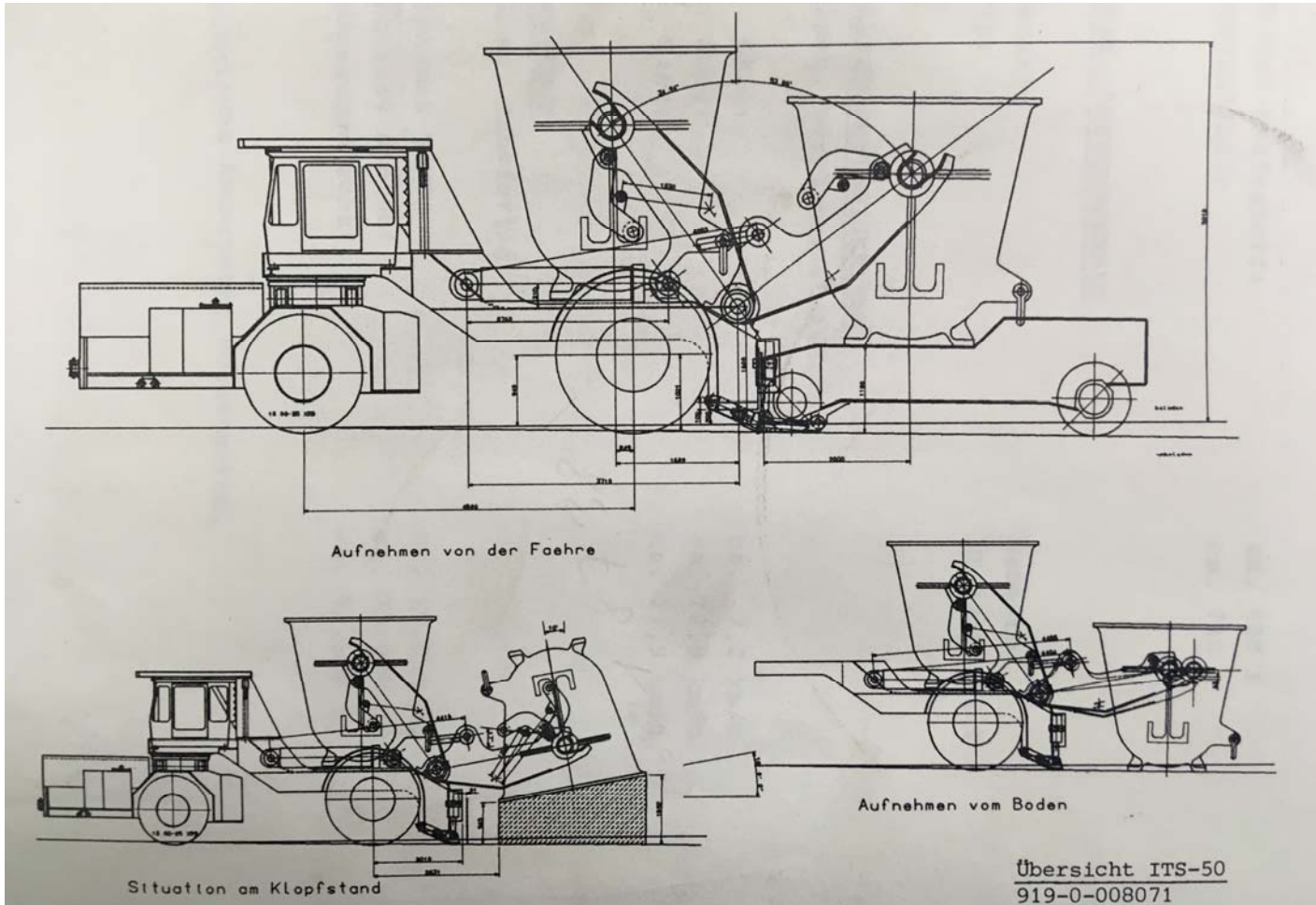
Equipment / Scope of supply

- Hinge connection
- Cabin with two control stands and rotating driver's seat
- Air conditioner
- Vehicle heater Air Top 2000 D
- Trailing unit with refractory lining
- Canopy for driver's cabin with blinds
- Additional dumping device
- Pedestal for slag pot
- Exhaust silencer vertically upwards

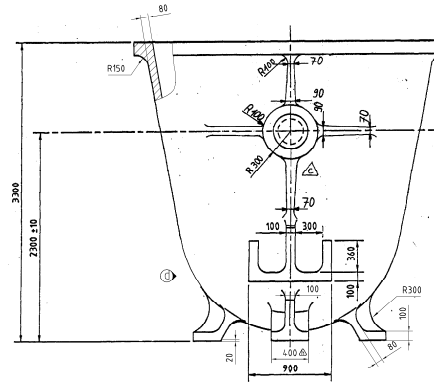
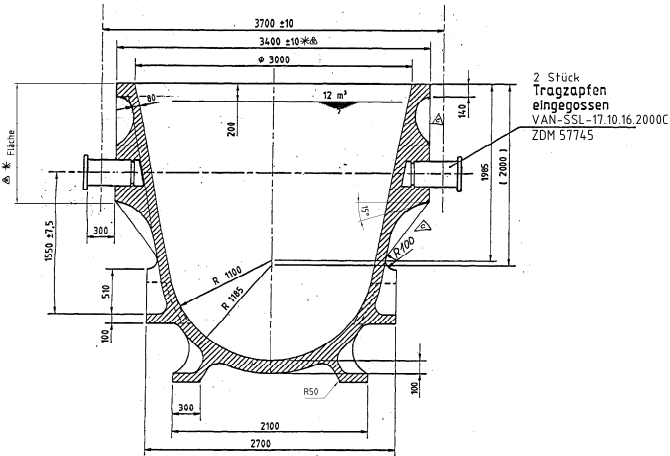
Current state

- Vehicle functional
- Inspection at the operator by appointment at any time possible!
- Delivery ex works operator / Austria

VEHICLE DRAWING



SLAG POT DRAWING 12 m³ net



«Dieses Maß ist unbedingt einzuhalten → gegebenenfalls ist die Fläche dementsprechend nachzubearbeiten»

Füße im Aufriss und Kreuzriß um 45° gedreht gezeichnet

